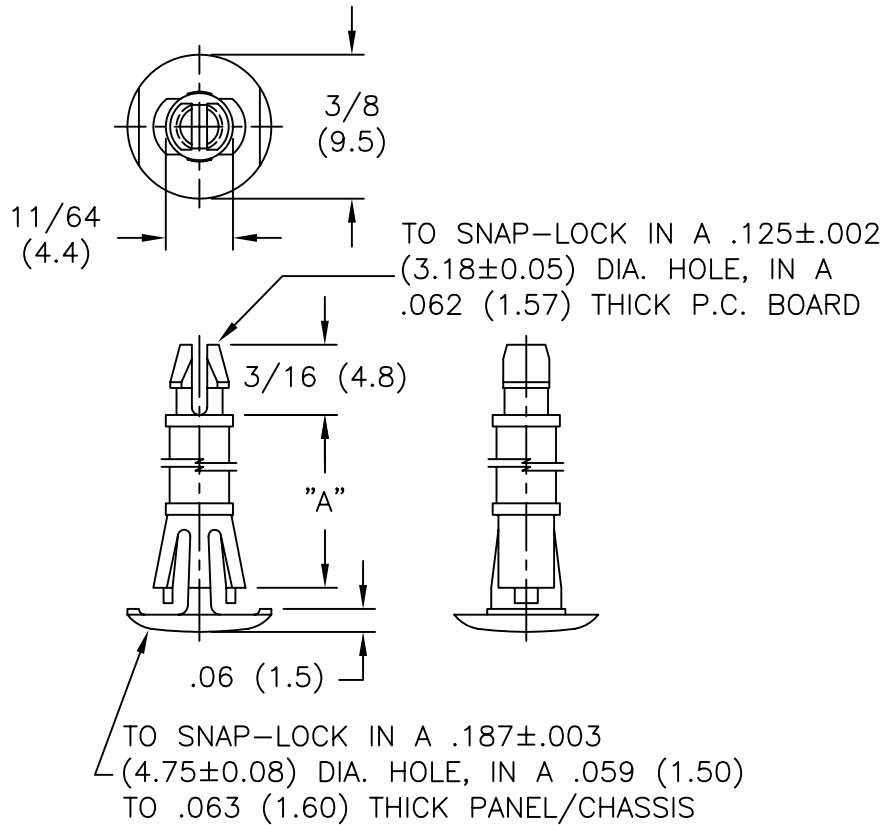


PART NO.	"A" ±.015(0.4)
RLCBSPR-4-01	1/4 (6.4)
RLCBSPR-5-01	5/16 (7.9)
RLCBSPR-6-01	3/8 (9.5)
RLCBSPR-7-01	7/16 (11.1)
RLCBSPR-8-01	1/2 (12.7)
RLCBSPR-9-01	9/16 (14.3)
RLCBSPR-10-01	5/8 (15.9)



NOTES:

- MATERIAL: NYLON 6/6 (RMS-01).
FLAME RETARDANT: NYLON (RMS-19),
AVAILABLE BY SPECIAL ORDER.
- COLOR: NATURAL.

TITLE: REVERSE LOCKING C.B.S., PRONGED, ROUND HOLE			DWG IN IN (MM)		FINAL			
TOLERANCES UNLESS NOTED .XX=±.010 .XXX=±.005 FRAC=1/64 ANG=1°			FILE # RLCBSPR	DWN: P.B.	APP:	PART # SEE TABLE	PRINT TYPE CA	
C			MAT'L: SEE NOTES	DT: 05-23-95	DT:			
B			RE: RICHCO INC.	RICHCO INC. PO BOX 804238, CHICAGO, 60680 (773) 539-4060				
A								
REV								
CHANGED FILE NUMBER								
SM 05.03.01								
MAT'L RMS-19 ADDED								
J.L. 12.29.97								
CONVERTED TO ACAD								
PB 05.23.95								
DESCRIPTION								
ENGR DATE								